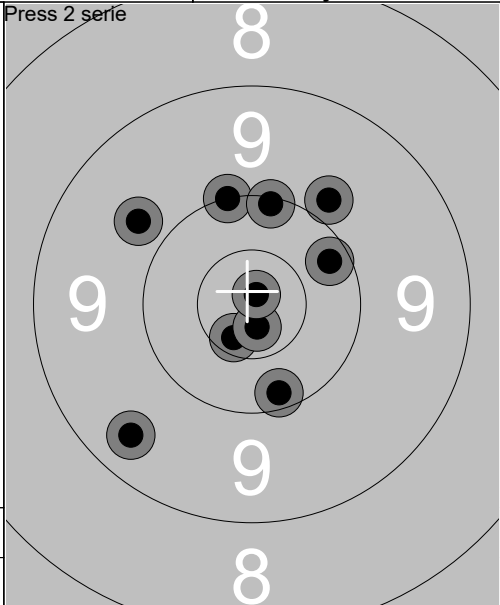
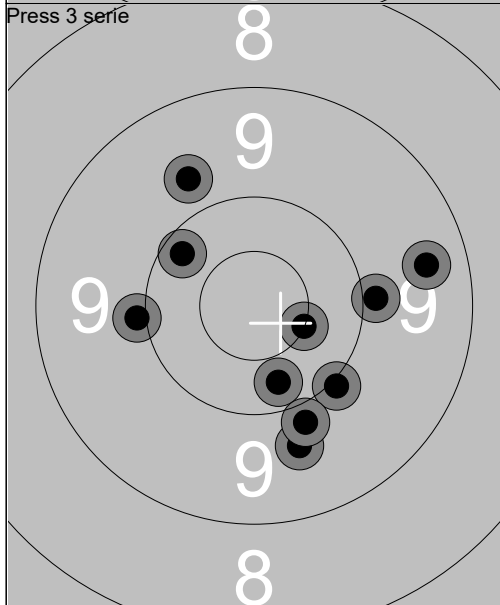


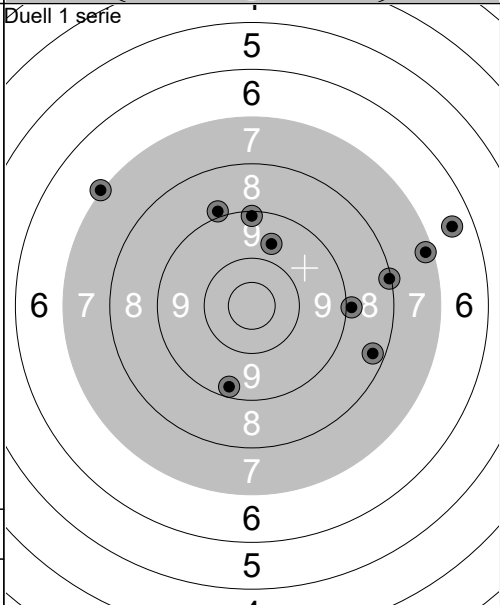
13.7s	9.4	→
40.6s	10.4	↘
1:14m	9.8	↓
1:51m	9.5	↙
2:20m	10.0	↗
12.9s	9.3	→
48.5s	10.6x	↖
1:14m	10.5x	↗
1:42m	10.2	↓
2:16m	10.5x	↘
Serie	96 (3x)	
Total	96 (3x)	



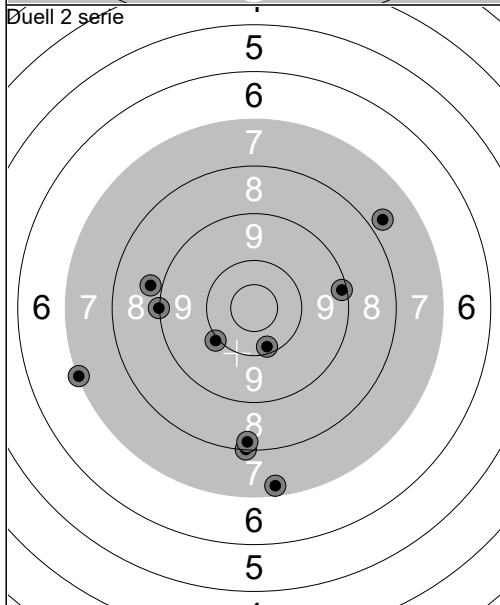
14.6s	10.6x	↘
49.6s	9.4	↙
1:17m	10.8x	↘
1:44m	10.1	↑
2:12m	10.2	↘
16.9s	9.8	↖
43.0s	10.1	↑
1:11m	10.2	↗
1:43m	9.9	↗
2:18m	10.9x	↗
Serie	97 (3x)	
Total	193 (6x)	



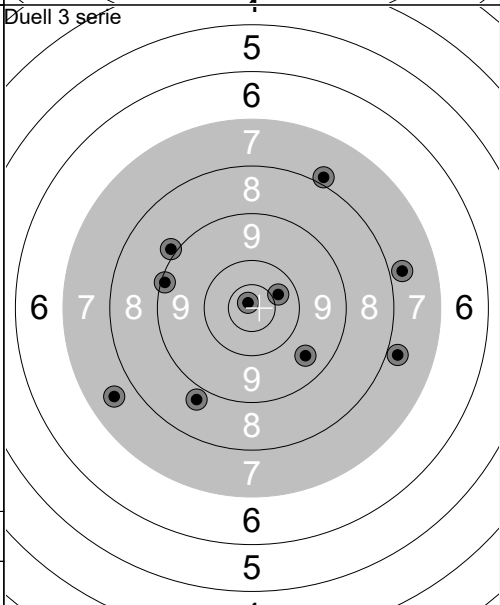
15.5s	10.2	↗
44.7s	9.8	↗
1:22m	10.5x	→
1:52m	10.0	←
2:26m	9.9	→
12.4s	10.0	↘
40.9s	9.7	↓
1:18m	10.3	↓
1:51m	9.9	↓
2:27m	9.4	→
Serie	95 (1x)	
Total	288 (7x)	



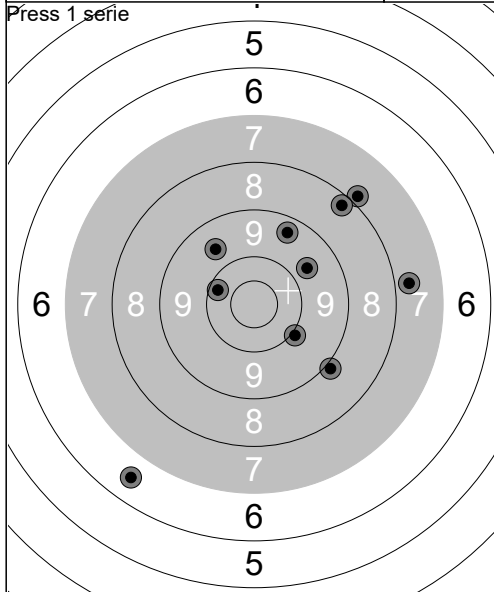
2.39s	9.6	→
2.16s	9.9	→
2.20s	9.9	↑
2.09s	10.3	↑
2.12s	8.8	↖
2.33s	10.1	↓
2.19s	9.4	→
2.29s	8.4	→
2.34s	8.9	→
2.39s	10.0	↑
Serie	90 (0x)	
Total	378 (7x)	



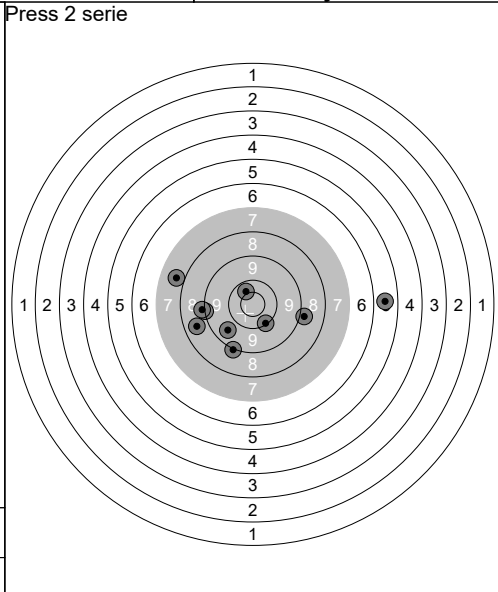
3.01s	9.4	↓
2.24s	9.2	↗
2.33s	8.8	←
2.20s	10.4x	↙
2.14s	10.5x	↘
2.31s	8.9	↓
2.25s	10.0	←
2.21s	9.9	←
2.19s	9.5	↓
2.24s	10.1	→
Serie	92 (2x)	
Total	470 (9x)	



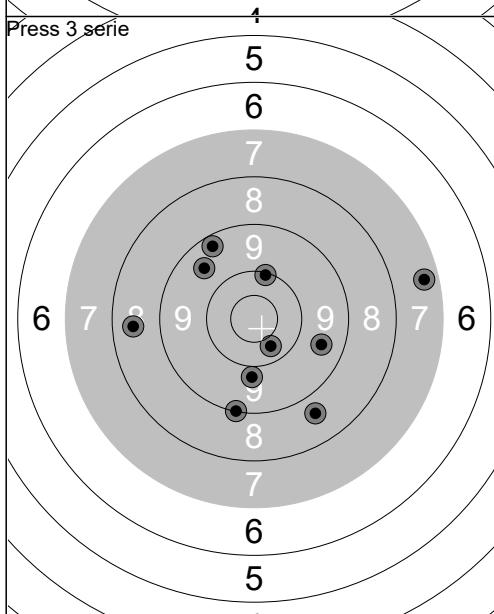
2.40s	9.9	↘
2.45s	9.2	→
2.25s	10.2	↘
2.25s	10.7x	↗
2.18s	9.9	↖
2.40s	9.2	→
2.29s	9.1	↙
2.13s	10.9x	↗
2.04s	10.0	←
2.14s	9.3	↗
Serie	94 (2x)	
Total	564 (11x)	



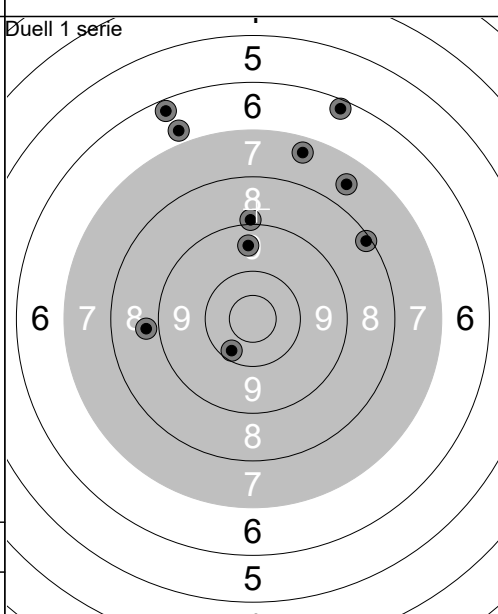
14.5s	7.9	↗
41.6s	8.3	↗
1:01m	9.7	↗
1:33m	9.4	↗
2:04m	9.0	↘
8.18s	7.8	→
30.6s	10.0	↘
57.2s	9.6	↗
1:24m	6.6	↘
1:47m	10.2	←
Serie	84 (0x)	
Total	84 (0x)	



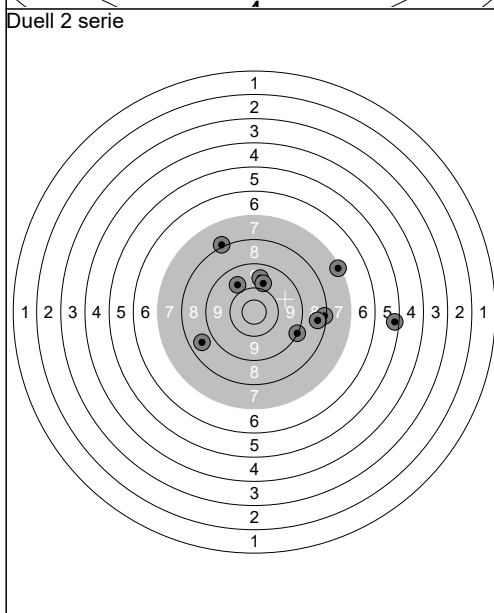
10.2s	7.7	←
30.8s	9.1	←
47.7s	8.6	←
1:51m	8.9	←
2:16m	9.6	↘
13.8s	5.6	→
44.0s	10.4x	↗
58.6s	9.0	↘
1:10m	10.1	↘
1:26m	8.9	→
Serie	83 (1x)	
Total	167 (1x)	



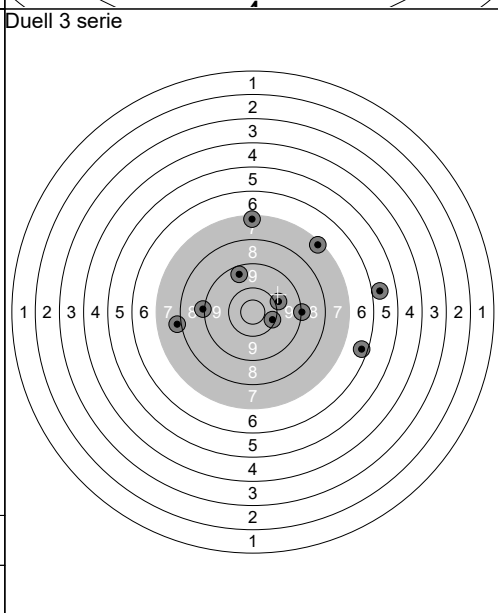
7.92s	7.4	→
31.1s	9.5	→
1:01m	10.1	↗
1:25m	9.1	↘
2:13m	9.6	↗
13.7s	8.7	↘
37.2s	9.8	↘
1:04m	10.3	↘
1:33m	8.5	←
2:00m	9.3	↗
Serie	88 (0x)	
Total	255 (1x)	



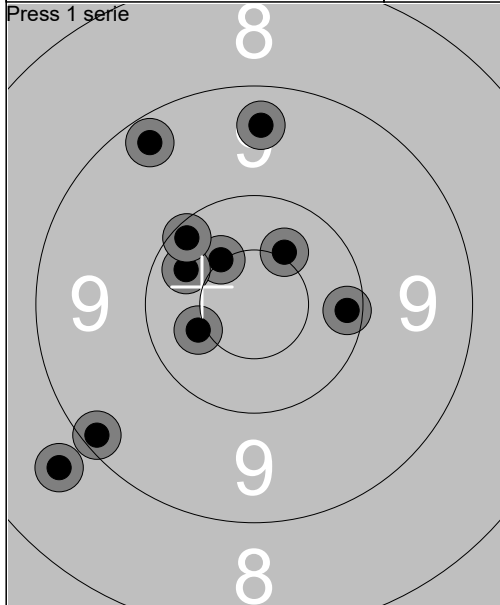
2.78s	9.1	↗
2.46s	8.3	↗
2.73s	10.6x	↘
2.41s	10.2	↗
2.64s	9.9	←
2.66s	9.0	↗
2.80s	8.6	↗
2.98s	10.0	↗
2.61s	8.3	↗
2.43s	9.4	↗
Serie	90 (1x)	
Total	345 (2x)	



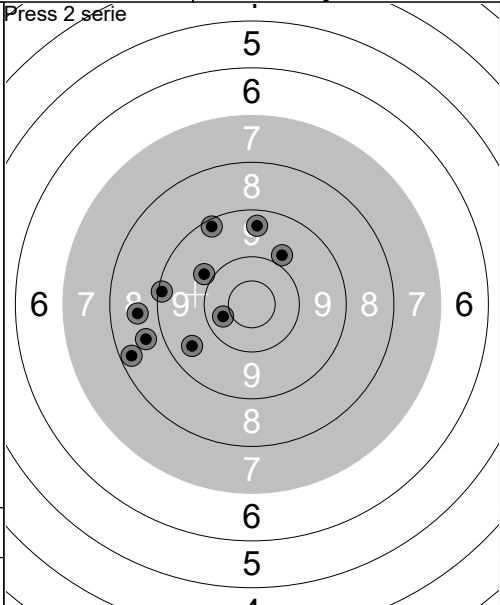
2.87s	8.8	↗
2.74s	10.3	↗
2.61s	10.3	↗
2.69s	10.4	↗
2.74s	10.0	↘
2.40s	9.3	↗
2.81s	9.4	→
2.31s	9.7	←
2.68s	7.6	→
2.66s	9.6	→
Serie	91 (0x)	
Total	436 (2x)	



2.62s	7.9	→
2.54s	10.5x	↘
2.72s	8.9	↗
2.46s	10.0	←
2.97s	10.0	→
2.60s	8.9	↗
2.61s	9.3	←
2.48s	10.2	↗
2.41s	10.4	↗
2.81s	8.3	↘
Serie	90 (1x)	
Total	526 (3x)	

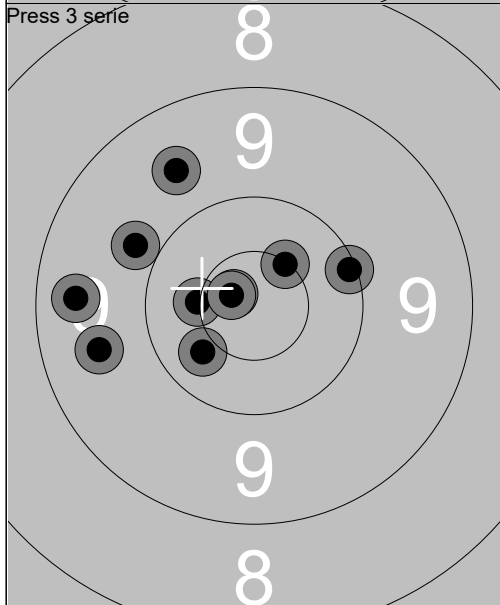


11.4s	8.6	←
31.1s	9.9	↖
59.4s	8.3	↙
1:27m	9.4	↑
1:47m	8.7	←
13.1s	10.4	←
35.5s	9.5	↙
1:04m	9.1	←
1:31m	9.8	↗
1:54m	9.2	↖
Serie	88 (0x)	
Total	183 (3x)	



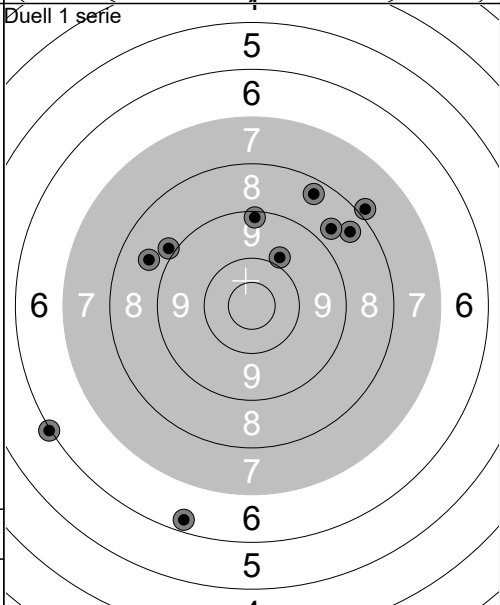
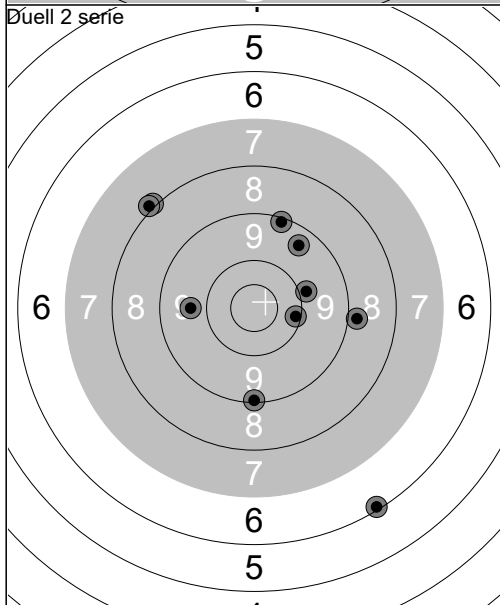
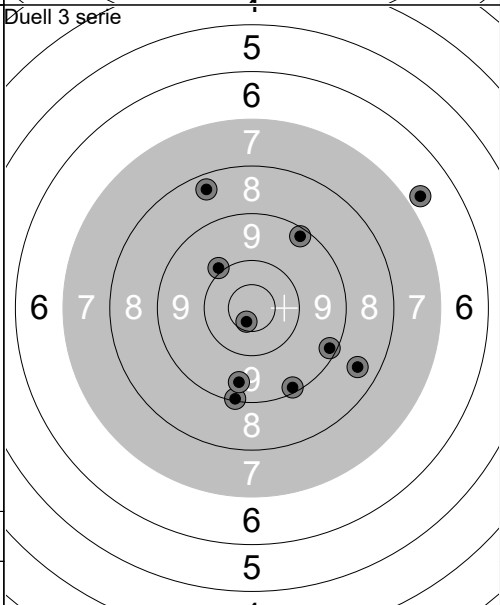
Øuell 1 serie

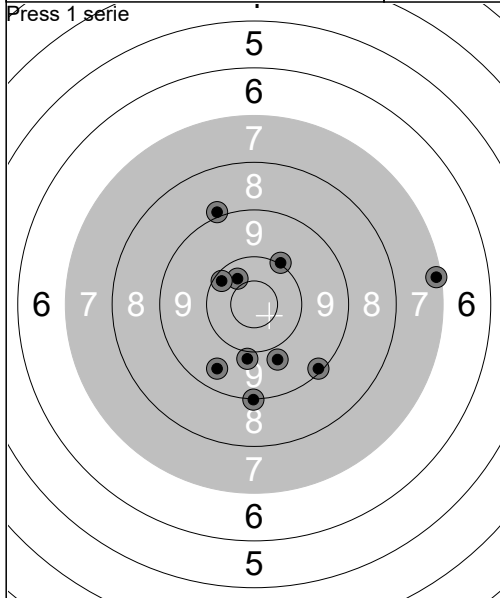
2.78s	9.9	↖
2.44s	10.1	↑
2.04s	9.6	↗
2.34s	8.1	↙
2.70s	8.3	↓
2.31s	10.4	↗
2.19s	9.3	↗
2.42s	9.8	↖
2.73s	9.6	↗
2.50s	9.8	↗
Serie	90 (0x)	
Total	369 (7x)	



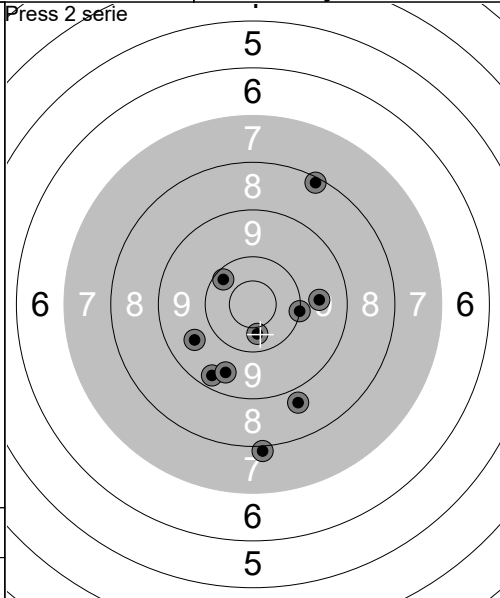
Øuell 2 serie

2.34s	10.4x	↖
2.24s	8.6	↗
2.43s	9.6	↗
2.57s	10.1	↗
2.47s	10.1	→
2.31s	10.8x	↓
2.23s	10.0	↓
2.23s	10.1	↓
2.45s	9.7	→
2.35s	10.2	↓
Serie	96 (2x)	
Total	560 (10x)	

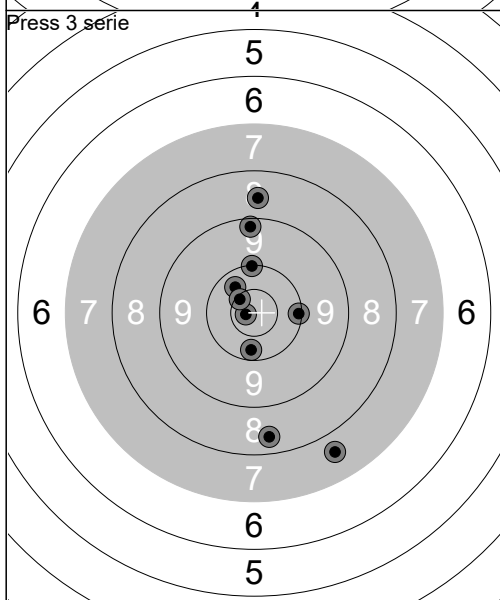






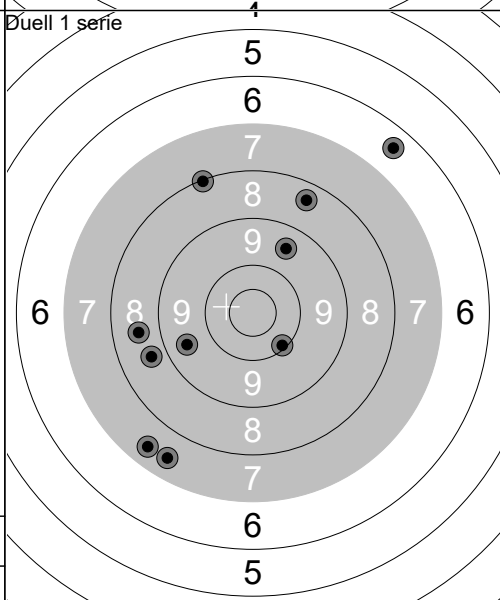
17.9s	7.2	→
44.2s	10.4	↖
1:12m	9.1	↘
1:43m	9.9	↓
2:14m	9.8	↘
46.6s	10.2	↖
1:15m	9.0	↖
1:44m	9.5	↘
2:17m	10.0	↗
3:29m	9.0	↓
Serie	91 (0x)	
Total	91 (0x)	



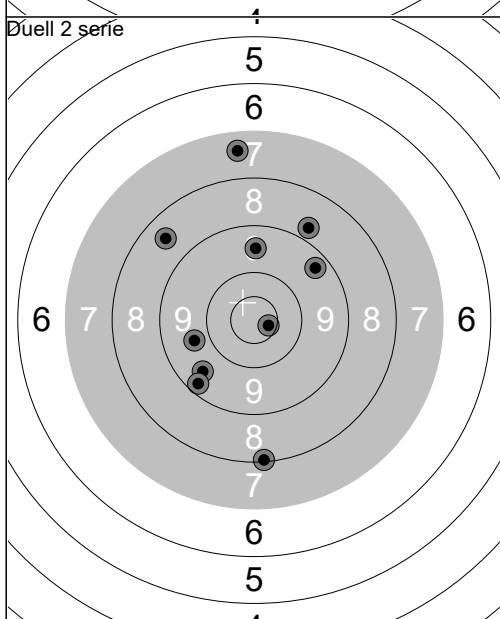
15.6s	9.3	↘
45.4s	8.8	↘
1:20m	9.6	→
1:49m	9.6	↖
2:24m	8.0	↓
11.1s	10.2	↖
39.7s	9.5	↘
1:15m	10.4	↓
1:44m	10.0	→
2:10m	8.2	↗
Serie	90 (0x)	
Total	181 (0x)	



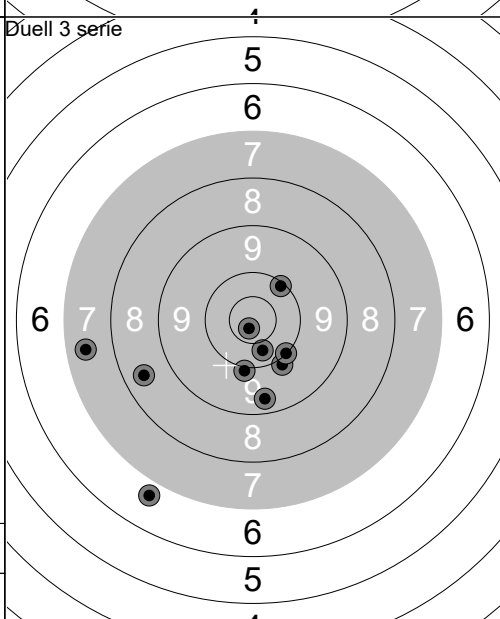
11.3s	8.6	↑
41.9s	10.2	↓
1:11m	8.4	↓
1:39m	10.8x	←
2:08m	10.3	↖
14.6s	7.7	↓
41.9s	9.2	↑
1:06m	10.6x	↖
1:33m	10.1	↑
1:59m	10.1	→
Serie	92 (2x)	
Total	273 (2x)	



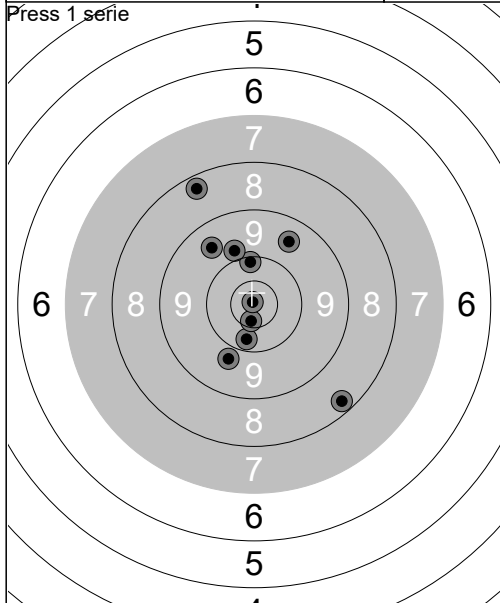
2.80s	9.7	←
2.43s	10.2	↖
2.60s	9.4	↖
2.33s	9.8	↖
2.84s	10.2	↗
2.70s	9.6	↗
2.44s	9.0	↘
2.34s	9.0	↘
2.38s	8.4	↗
2.66s	10.5x	↘
Serie	92 (1x)	
Total	365 (3x)	



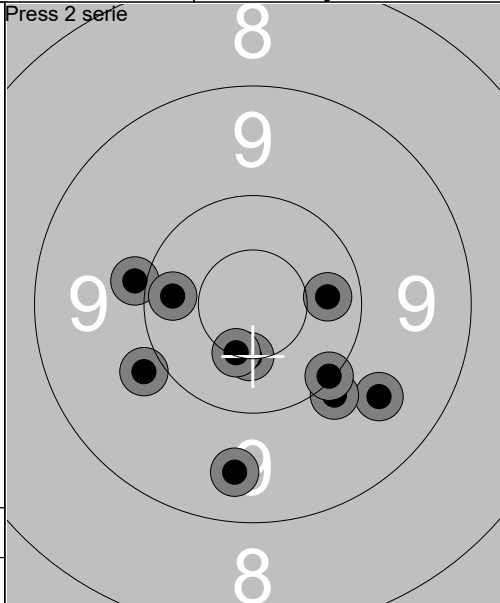
2.58s	9.7	↖
2.58s	9.4	↓
2.29s	10.8x	→
2.52s	9.9	↗
2.73s	9.0	↑
2.50s	10.2	↖
2.46s	10.1	↗
2.43s	10.3	←
2.14s	10.1	↖
2.56s	10.2	↑
Serie	96 (1x)	
Total	461 (4x)	



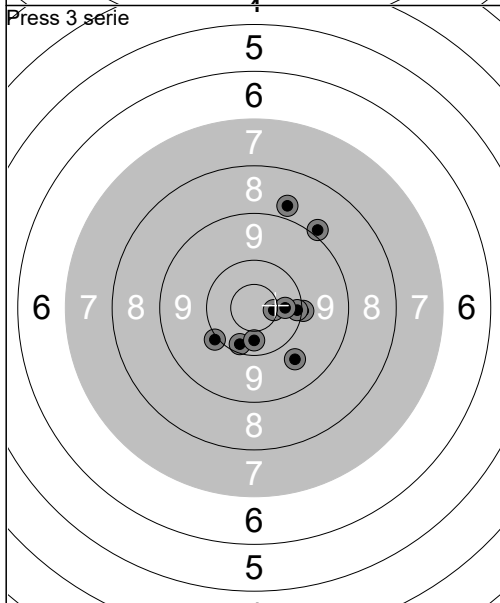
2.57s	9.7	←
2.76s	10.4	↘
2.35s	10.9x	↘
2.27s	10.6x	↘
2.49s	9.0	←
2.52s	10.1	↓
2.52s	10.5x	↘
2.25s	8.6	↘
2.29s	10.5x	↗
2.66s	10.4x	↘
Serie	96 (5x)	
Total	557 (9x)	



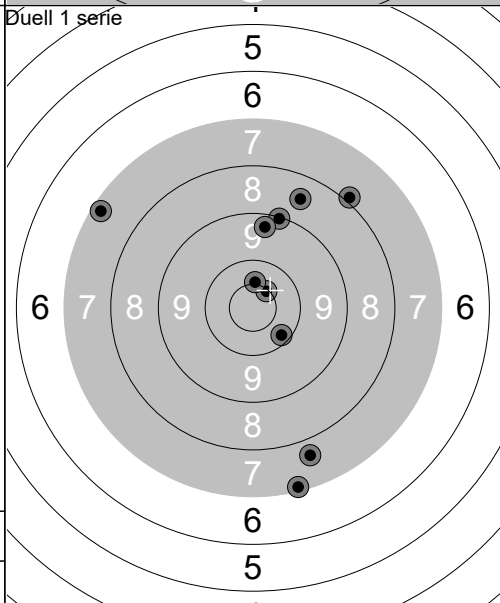
16.1s	9.6	↖
51.2s	9.8	↙
1:30m	10.1	↑
2:12m	8.3	↘
3:00m	10.3	↓
16.3s	9.9	↑
57.0s	9.5	↗
1:42m	10.6x	↓
2:18m	10.9x	↗
3:44m	8.3	↖
Serie	92 (2x)	
Total	92 (2x)	



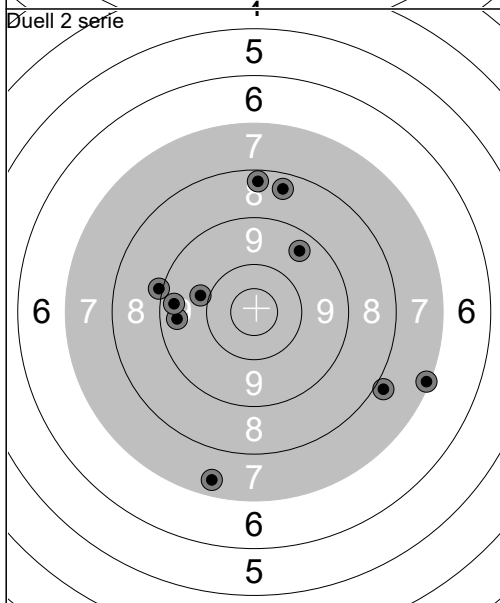
19.2s	10.5x	↓
58.2s	9.9	↙
1:43m	10.3	→
2:29m	10.0	←
3:19m	9.6	↘
17.6s	9.9	↘
1:05m	10.5x	↓
1:54m	9.5	↓
2:42m	10.3	←
3:28m	10.1	↘
Serie	96 (2x)	
Total	188 (4x)	



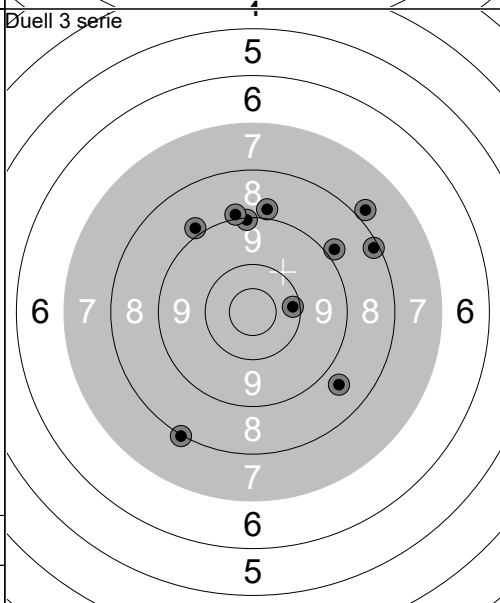
23.3s	10.2	↓
1:19m	8.9	↗
2:02m	9.7	↘
2:46m	10.6x	→
3:30m	10.0	→
16.2s	10.1	→
55.7s	10.4	→
1:40m	10.3	↓
2:24m	10.0	↙
3:08m	8.8	↑
Serie	95 (1x)	
Total	283 (5x)	



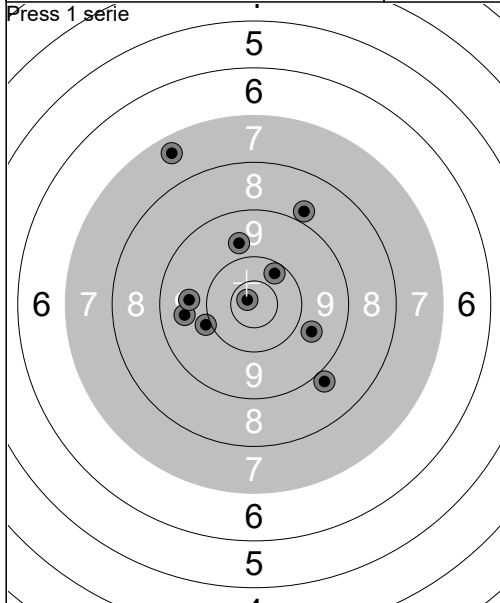
2.67s	8.8	↓
2.93s	10.7x	↗
2.75s	10.6x	↘
2.93s	10.0	↑
2.89s	10.1	↑
2.66s	9.2	↓
2.84s	10.7x	↑
2.81s	8.9	↖
2.88s	9.7	↗
2.91s	9.3	↗
Serie	93 (3x)	
Total	376 (8x)	



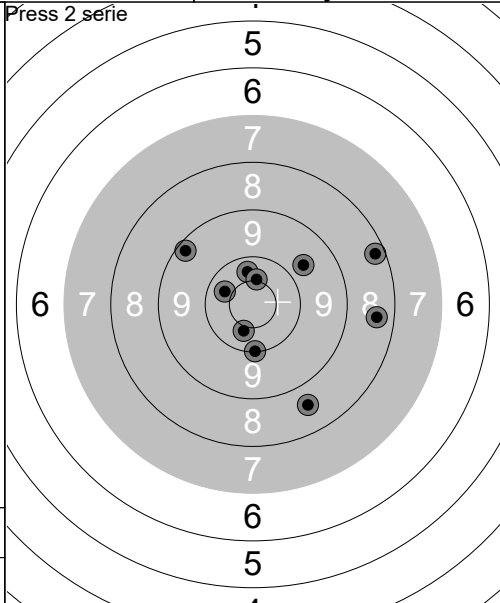
2.73s	10.4	←
2.83s	9.6	↑
2.88s	9.3	↘
2.73s	10.2	↗
2.70s	9.5	↑
2.71s	9.0	↓
2.90s	8.8	↘
2.89s	10.2	←
2.92s	10.0	←
2.76s	10.1	←
Serie	94 (0x)	
Total	470 (8x)	



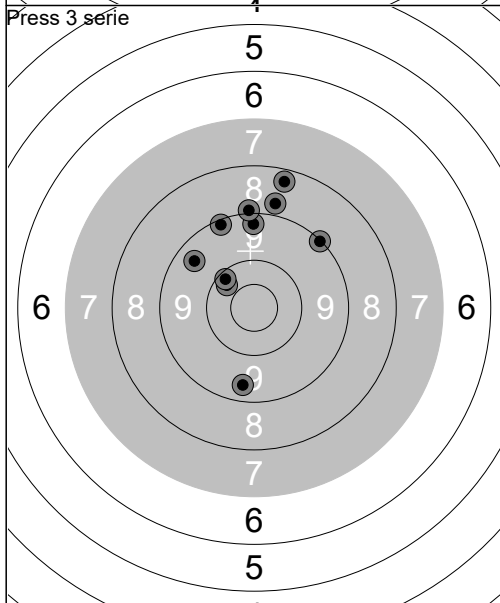
2.78s	9.9	↑
2.86s	9.4	↙
2.88s	10.5x	→
2.98s	9.8	↘
2.62s	9.9	↖
2.78s	10.0	↑
2.70s	10.0	↑
2.81s	9.9	↗
2.85s	9.5	↗
2.68s	9.3	↗
Serie	93 (1x)	
Total	563 (9x)	



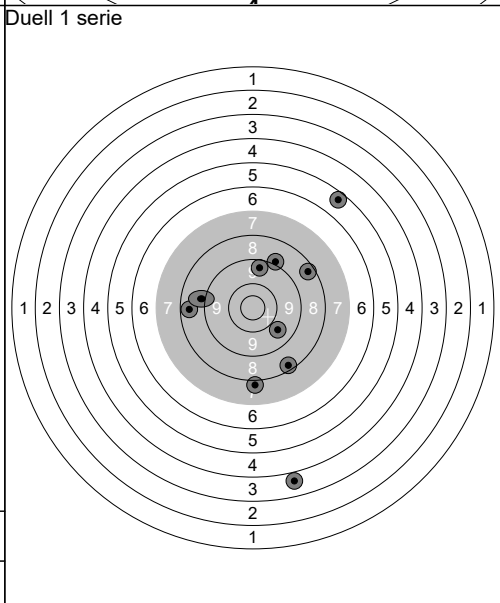
8.16s	9.6	←
46.1s	9.7	↑
1:18m	9.9	↙
1:56m	7.4	↗
1:58m	10.8x	↖
14.7s	9.7	←
49.8s	10.2	↗
1:23m	8.9	↘
1:49m	8.8	↗
1:52m	9.7	↘
Serie	88 (1x)	
Total	88 (1x)	



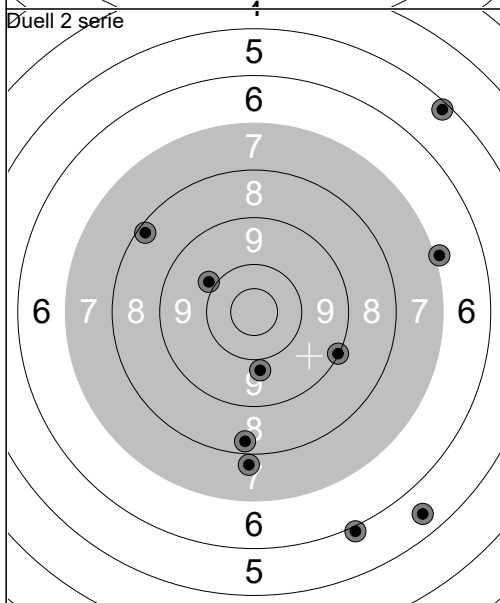
9.28s	8.4	→
44.1s	10.1	↓
46.9s	8.3	↗
1:30m	10.4	↖
1:33m	10.3	↑
15.0s	8.6	↓
17.3s	10.4x	↘
59.9s	9.2	↖
1:44m	10.5x	↑
1:46m	9.7	↗
Serie	92 (2x)	
Total	180 (3x)	



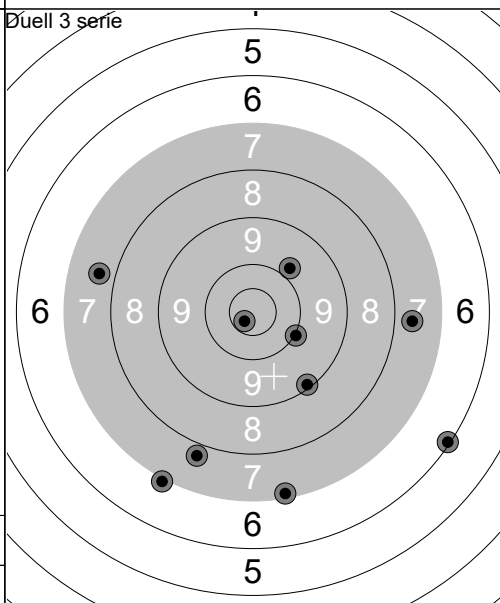
11.7s	8.3	↑
14.1s	9.4	↓
58.0s	9.4	↖
1:00m	9.3	↑
1:02m	8.8	↑
11.7s	10.3	↖
14.5s	9.0	↑
59.4s	10.2	↖
1:02m	9.1	↗
2:00m	9.2	↑
Serie	90 (0x)	
Total	270 (3x)	



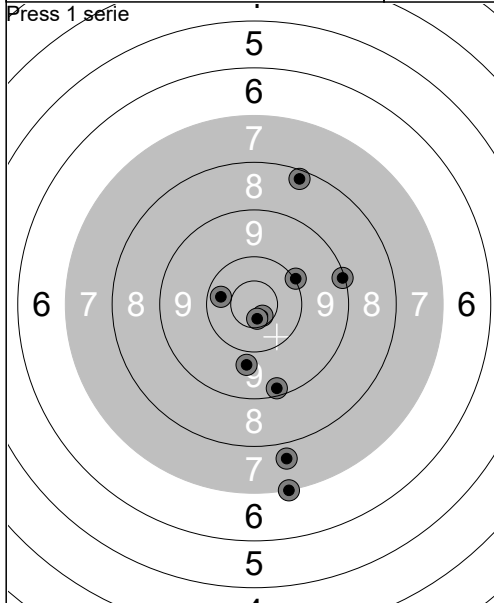
2.60s	9.6	↗
2.34s	10.2	↑
2.54s	9.6	←
2.63s	9.5	↘
2.70s	9.9	↗
2.40s	7.7	↗
2.27s	10.3	↘
2.23s	6.7	↓
2.84s	9.3	↓
0.15s	↖	↖
Serie	78 (0x)	
Total	348 (3x)	



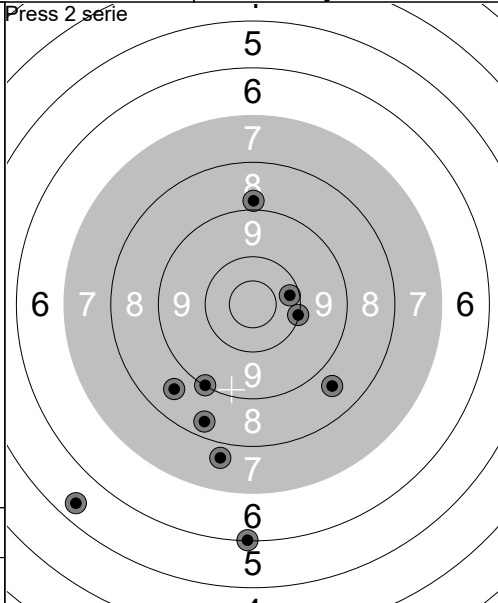
2.62s	9.5	↖
2.38s	7.6	↗
2.86s	8.7	→
2.25s	7.8	↘
2.54s	9.6	↓
2.20s	10.0	↘
2.22s	10.4	↖
2.71s	10.4	↓
2.62s	8.1	↓
2.20s	9.2	↓
Serie	87 (0x)	
Total	435 (3x)	



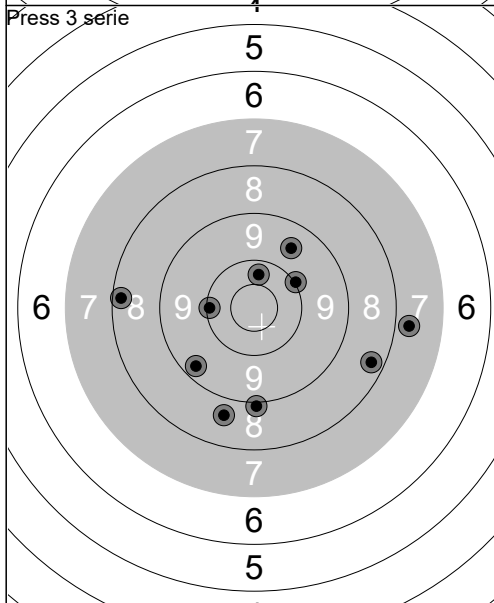
2.00s	10.5x	↘
2.02s	9.2	←
2.00s	10.4	↗
1.98s	10.0	↘
2.56s	10.8x	↖
2.52s	8.8	↓
1.96s	8.2	↘
2.16s	8.7	↘
2.17s	9.2	↓
2.11s	9.2	→
Serie	91 (2x)	
Total	526 (5x)	



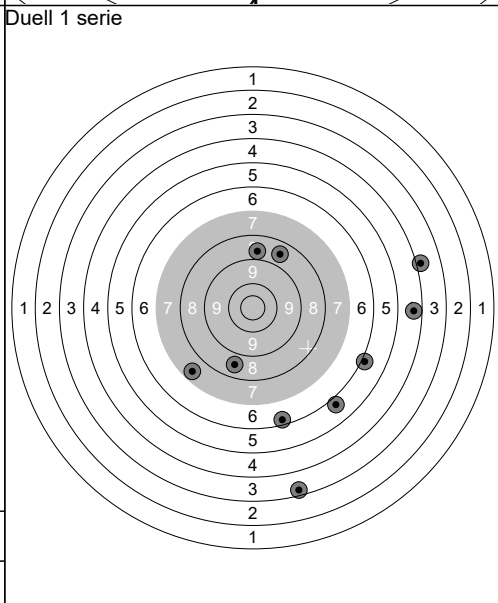
10.0s	7.7	↓
57.7s	10.3	←
1:25m	7.1	↓
1:59m	10.7x	↘
3:06m	10.0	↗
39.6s	9.8	↓
1:08m	10.7x	↓
2:08m	9.2	↓
2:40m	9.1	→
3:42m	8.2	↑
Serie	89 (2x)	
Total	89 (2x)	



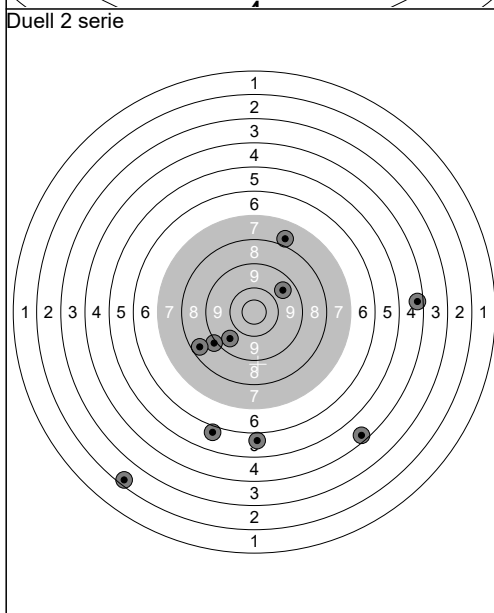
9.98s	10.1	→
34.3s	8.9	↑
1:03m	9.1	↓
1:55m	8.6	↙
2:55m	8.4	↓
27.4s	8.7	↘
54.5s	10.2	→
1:16m	5.4	↙
2:39m	6.1	↓
3:13m	7.7	↓
Serie	79 (0x)	
Total	168 (2x)	



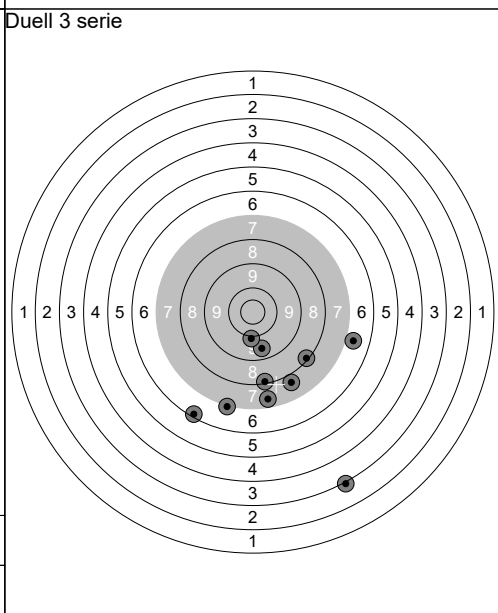
7.60s	7.8	→
42.1s	8.7	↓
1:24m	10.0	↗
2:01m	10.3	↑
2:53m	8.2	←
13.2s	10.1	←
1:15m	9.0	↓
1:37m	9.6	↗
2:31m	8.3	→
3:07m	9.3	↙
Serie	88 (0x)	
Total	256 (2x)	



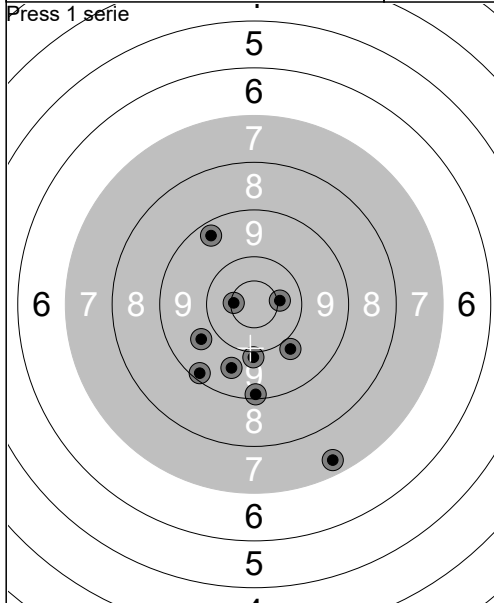
2.89s	8.1	→
2.50s	9.8	↑
2.29s	9.7	↗
2.29s	8.3	↓
2.23s	6.8	→
2.87s	9.7	↓
2.31s	8.0	↘
2.40s	6.4	↓
2.63s	7.1	→
2.52s	9.0	↙
Serie	79 (0x)	
Total	335 (2x)	



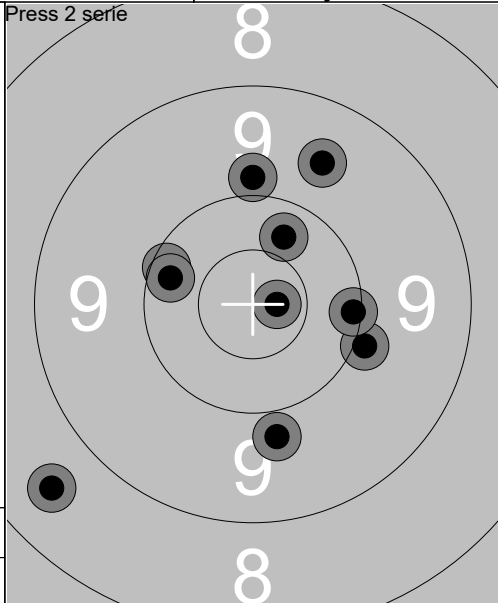
2.52s	10.2	↙
2.29s	8.0	↓
2.47s	9.2	↗
2.41s	5.8	↙
2.35s	10.2	↗
2.21s	7.0	↘
2.27s	7.0	→
2.27s	7.9	↓
2.59s	9.9	↙
2.18s	9.6	↙
Serie	81 (0x)	
Total	416 (2x)	



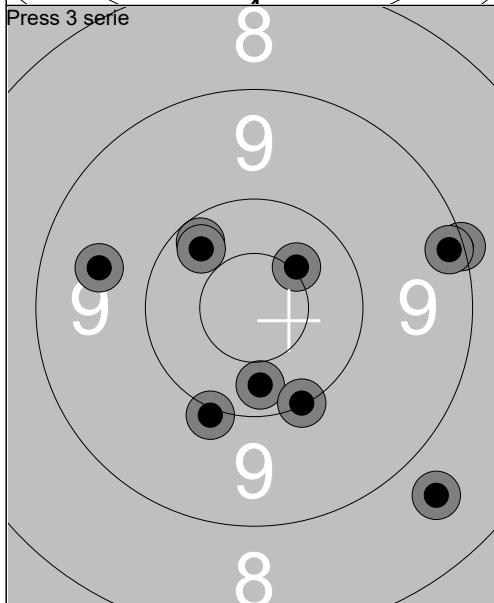
2.34s	8.6	→
2.31s	10.2	↓
1.88s	6.2	↘
2.63s	9.2	↘
2.54s	10.4	↓
2.42s	9.4	↓
2.33s	9.0	↓
2.50s	9.4	↘
2.52s	8.2	↙
1.97s	8.7	↓
Serie	86 (0x)	
Total	502 (2x)	



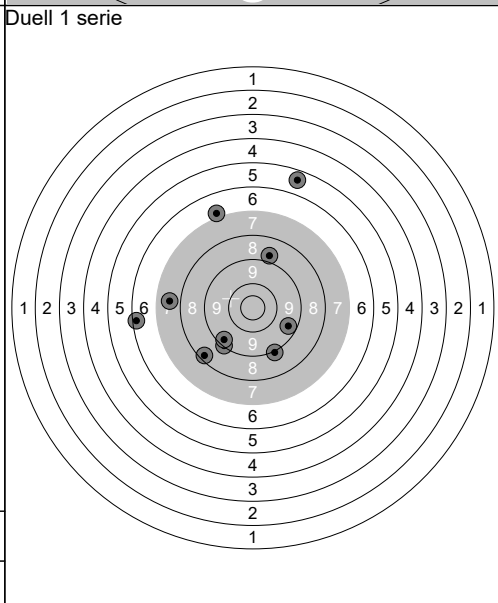
11.5s	9.3	↖
16.8s	7.4	↘
20.7s	9.2	↙
24.8s	9.9	↘
31.1s	9.6	↙
7.83s	9.7	↙
11.6s	10.5x	→
17.3s	10.6x	←
22.5s	9.2	↘
29.1s	9.9	↘
Serie	90 (2x)	
Total	90 (2x)	



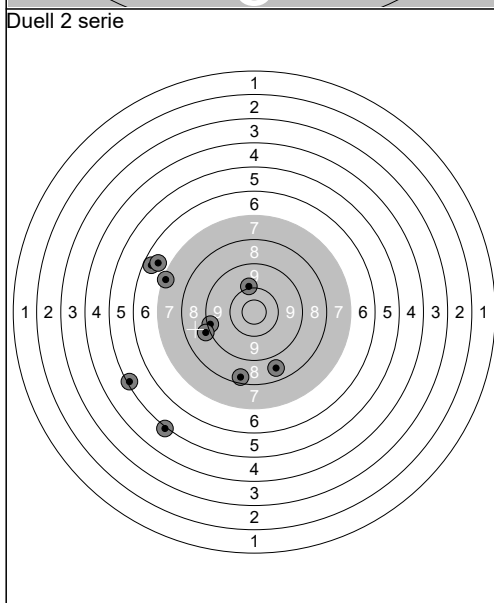
11.8s	9.9	↑
19.7s	9.6	↗
25.5s	10.8x	→
31.8s	8.6	↙
37.8s	10.0	→
6.48s	10.3	↗
9.49s	9.8	↘
15.7s	10.1	→
22.1s	10.2	↙
27.9s	10.2	↙
Serie	95 (1x)	
Total	185 (3x)	



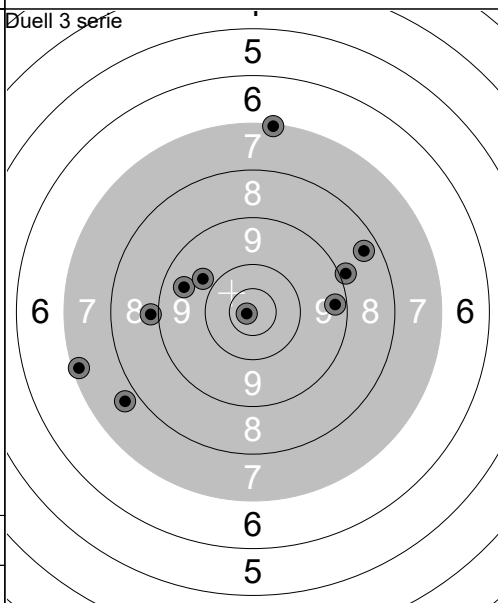
8.64s	9.6	↙
12.3s	9.1	→
15.9s	8.7	↘
20.6s	10.5x	↗
27.3s	10.3	↘
9.83s	9.2	→
15.9s	10.3	↗
20.7s	10.0	↘
25.9s	10.3	↗
34.6s	10.1	↘
Serie	95 (1x)	
Total	280 (4x)	



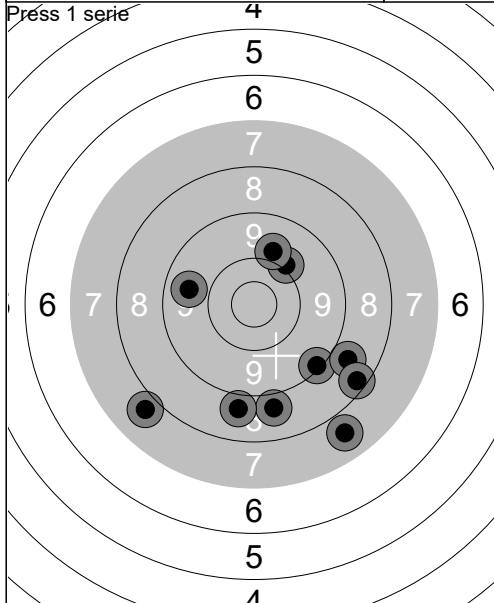
2.65s	10.0	↘
2.81s	8.2	↙
2.97s	10.1	↘
2.69s	10.0	↘
2.77s	9.1	↙
2.60s	7.8	↗
2.57s	8.6	↗
2.76s	10.2	→
3.10s	9.5	↙
2.82s	9.8	↗
Serie	90 (0x)	
Total	370 (4x)	



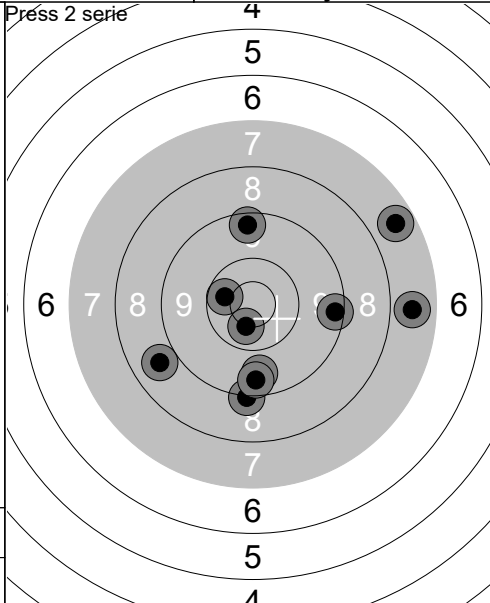
2.70s	8.3	↙
2.60s	9.7	↘
2.69s	9.6	↘
2.48s	10.1	↙
2.45s	7.6	↙
2.70s	8.5	↙
2.37s	9.9	↙
3.08s	10.4x	↑
2.83s	8.8	↙
2.37s	7.5	↘
Serie	85 (1x)	
Total	455 (5x)	



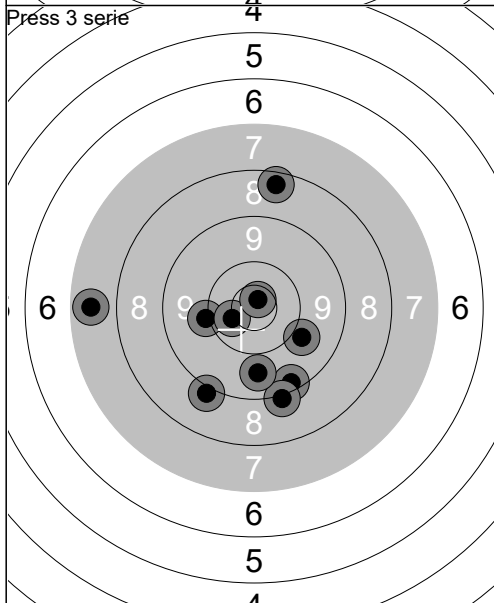
2.71s	9.6	↗
2.82s	10.9x	←
2.65s	8.9	↙
2.02s	9.2	↙
2.56s	9.9	→
2.50s	10.2	↙
2.54s	10.4	↙
2.48s	8.8	↑
2.38s	10.1	→
2.56s	9.9	↙
Serie	92 (1x)	
Total	547 (6x)	



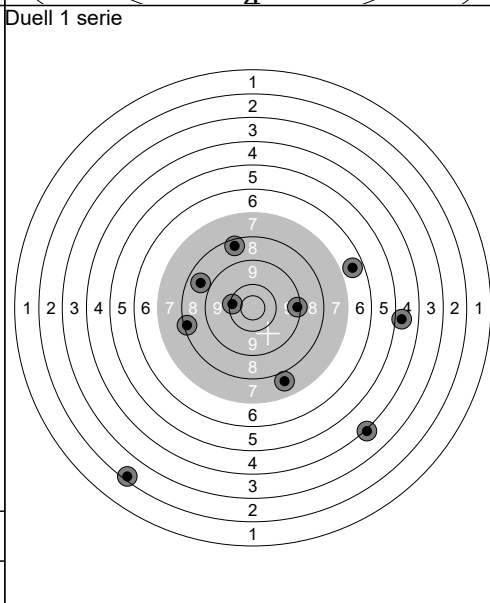
20.3s	8.8	↓
55.0s	7.7	↓
1:30m	8.8	↓
2:08m	10.0	↗
2:38m	9.7	←
24.6s	9.9	↗
1:00m	7.8	↙
1:36m	9.2	↓
2:15m	8.8	↘
3:35m	8.4	↘
Serie	83 (0x)	
Total	83 (0x)	



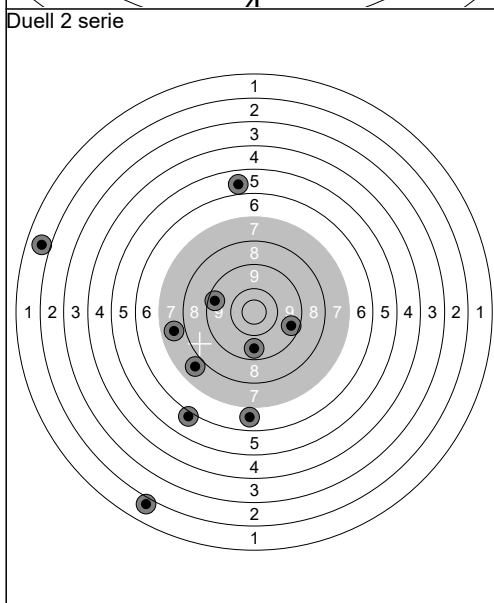
18.0s	9.3	→
45.3s	9.6	↓
1:17m	7.6	↗
1:41m	7.7	→
2:07m	9.1	↓
19.0s	9.5	↓
48.3s	10.4x	←
1:18m	8.7	↙
1:44m	10.5x	↓
2:12m	9.4	↑
Serie	87 (2x)	
Total	170 (2x)	



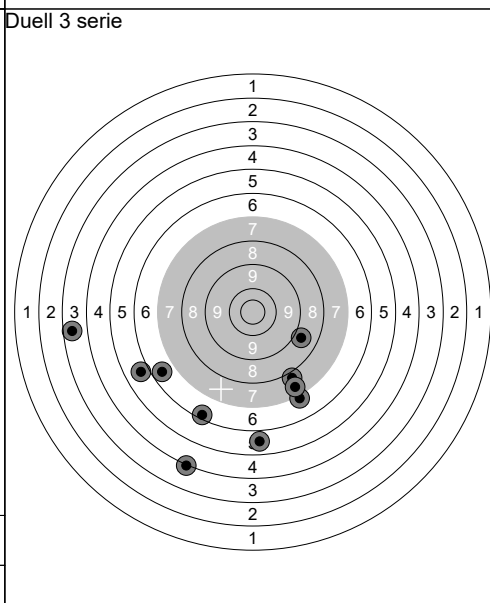
24.3s	9.0	↓
1:03m	10.0	←
1:45m	10.5x	↙
2:22m	9.9	↘
2:50m	9.3	↓
19.5s	10.8x	↗
47.8s	9.1	↓
1:18m	7.6	←
1:53m	8.4	↑
2:20m	9.7	↓
Serie	90 (2x)	
Total	260 (4x)	



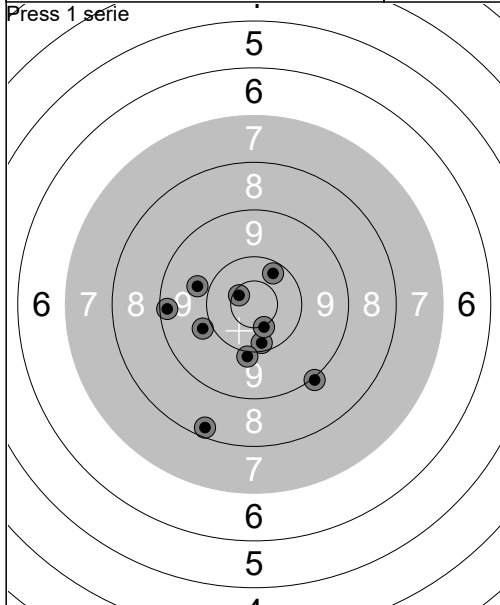
2.83s	5.8	↙
2.19s	9.6	↑
1.98s	6.9	↓
2.04s	9.8	↙
2.24s	10.6x	←
2.39s	10.1	→
2.18s	9.5	←
2.09s	7.4	→
2.06s	9.2	↓
2.15s	8.5	↗
Serie	82 (1x)	
Total	342 (5x)	



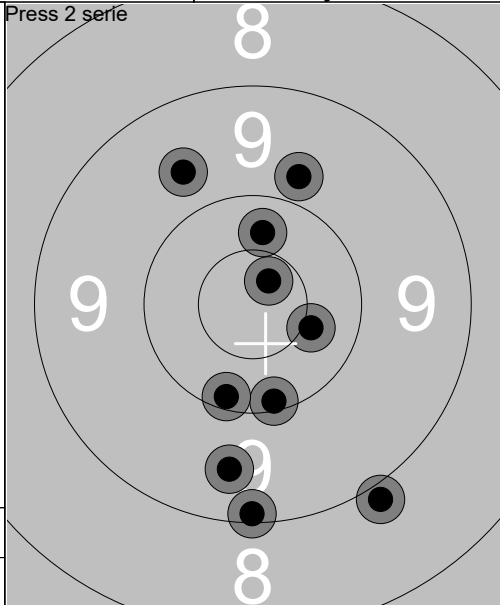
2.20s	9.2	↙
2.19s	8.6	↓
2.18s	10.2	←
2.04s	10.2	↘
1.97s	7.9	↑
2.06s	9.1	←
2.27s	10.3	↓
2.57s	5.5	←
2.04s	5.5	↓
2.31s	8.1	↙
Serie	81 (0x)	
Total	423 (5x)	



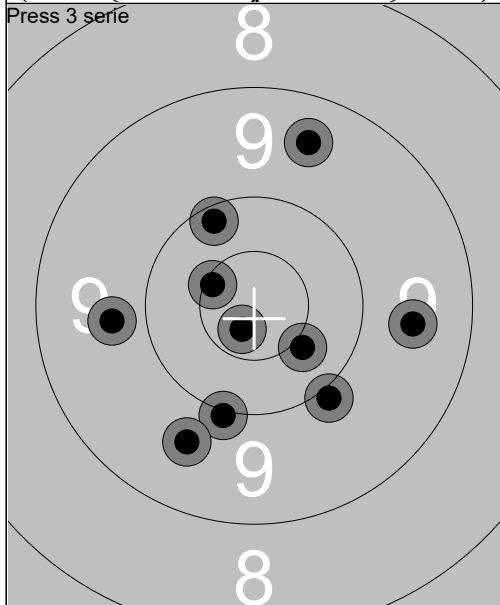
2.22s	8.0	↙
2.39s	8.7	↓
2.02s	9.9	↘
2.02s	6.5	←
2.19s	8.3	↓
2.42s	7.9	↓
2.14s	9.3	↓
2.10s	9.1	↓
2.31s	6.9	↓
2.19s	8.5	↙
Serie	78 (0x)	
Total	501 (5x)	



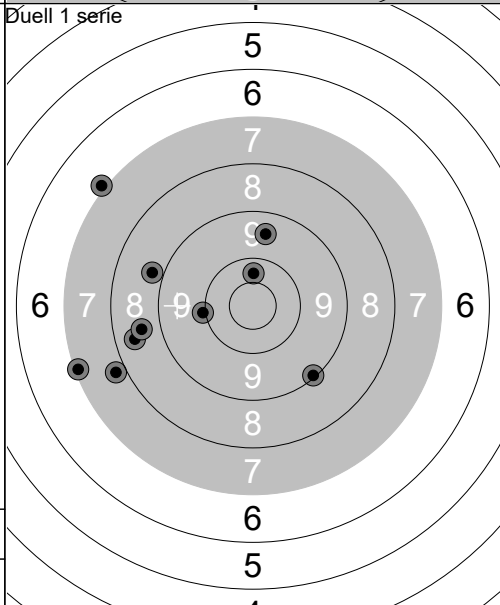
11.9s	10.2	↓
43.1s	10.0	↓
1:10m	10.5x	↓
1:38m	9.9	←
2:31m	10.6x	↖
14.7s	8.3	↓
40.9s	9.2	←
1:35m	10.3	↗
2:02m	9.0	↓
2:33m	9.8	←
Serie	94 (2x)	
Total	94 (2x)	



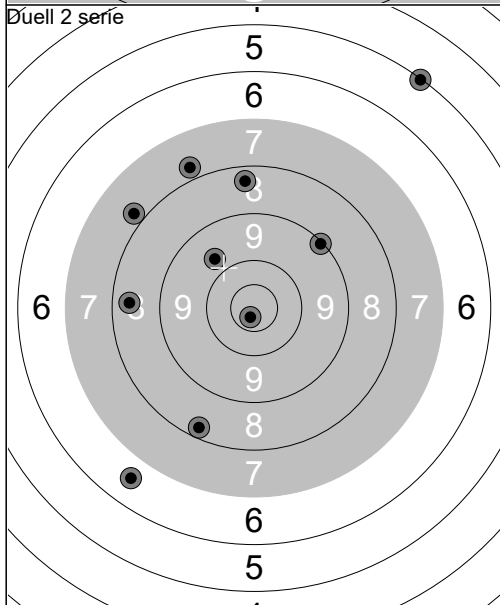
10.7s	10.1	↓
36.5s	10.2	↓
1:04m	9.5	↓
1:36m	9.1	↓
2:11m	9.8	↗
13.3s	10.7x	↗
1:11m	10.4x	→
1:37m	8.9	↓
2:03m	9.7	↗
2:30m	10.3	↑
Serie	94 (2x)	
Total	188 (4x)	



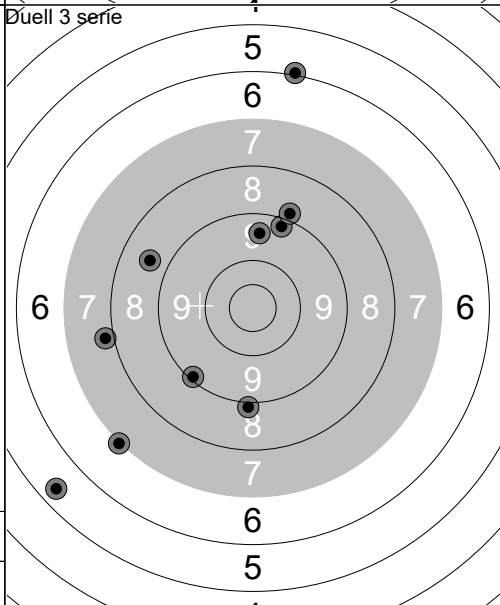
12.7s	10.6x	↖
1:06m	9.5	↗
1:29m	10.4x	↘
1:57m	10.7x	↓
2:23m	10.0	↓
16.3s	10.2	↗
1:10m	9.6	→
1:35m	10.0	↓
2:02m	9.7	←
2:25m	9.7	↓
Serie	96 (3x)	
Total	284 (7x)	



2.80s	9.7	←
2.48s	10.4x	←
2.54s	9.9	←
2.37s	9.8	←
2.80s	8.7	↖
3.20s	10.2	↑
2.42s	10.0	↘
2.31s	10.6x	↑
2.25s	8.8	←
2.58s	9.3	↖
Serie	92 (2x)	
Total	376 (9x)	

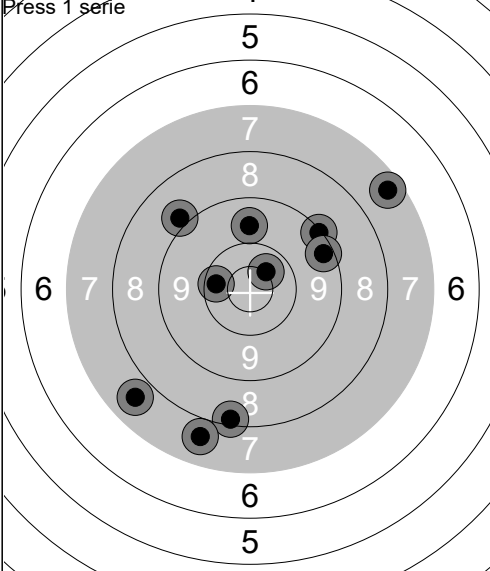
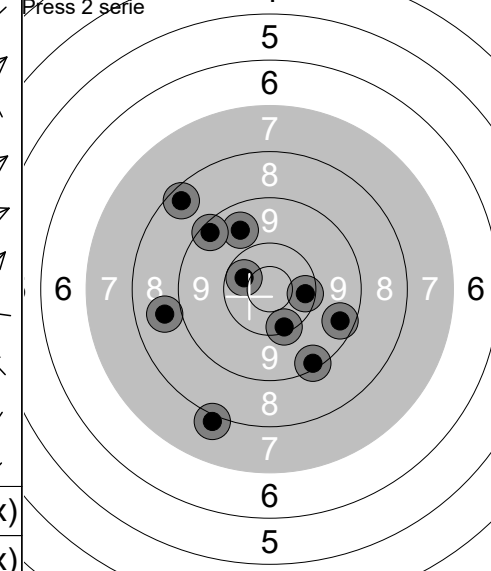


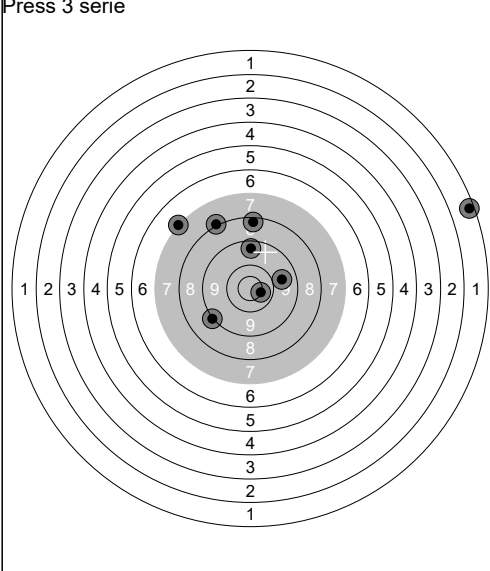
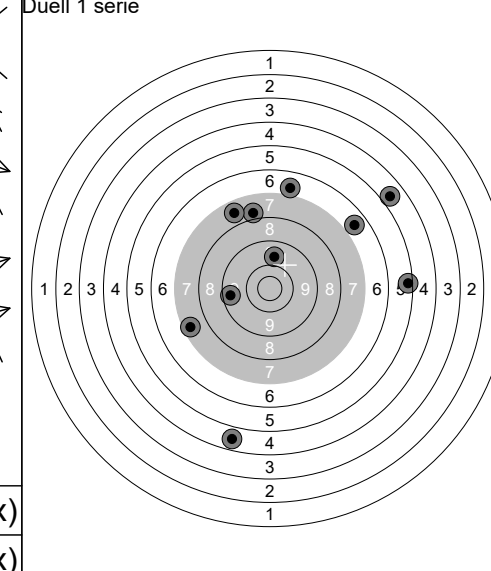
2.56s	9.5	↓
2.59s	9.6	↑
2.39s	9.2	↗
2.45s	10.3	↖
2.43s	8.5	↓
2.68s	10.9x	↓
2.73s	9.6	←
2.49s	10.0	↗
2.40s	9.2	↖
2.91s	7.5	↗
Serie	90 (1x)	
Total	466 (10x)	

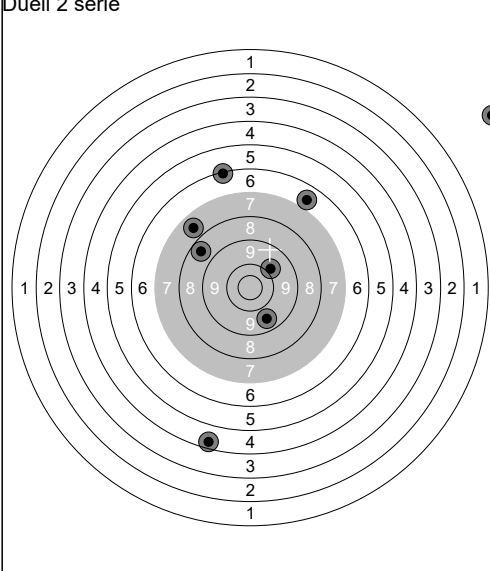


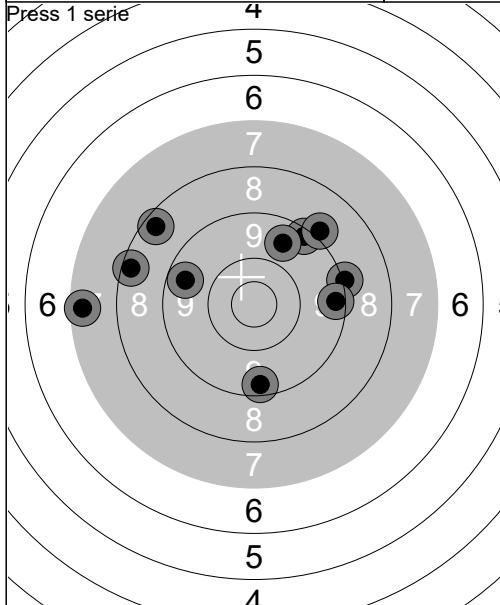
2.67s	10.2	↑
2.41s	9.3	←
2.61s	10.0	↘
2.38s	10.1	↑
2.43s	9.8	↖
2.69s	7.7	↘
2.56s	10.0	↓
2.36s	9.9	↗
2.54s	8.1	↑
2.19s	8.8	↘
Serie	90 (0x)	
Total	556 (10x)	

DNF

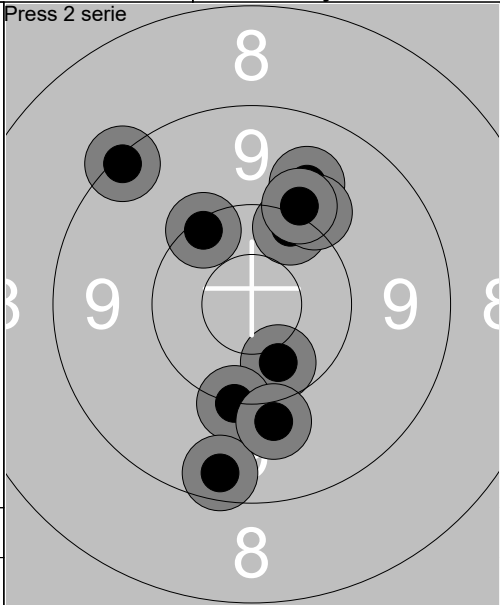
<p>Präss 1 serie</p> 	<table border="1" style="width:100%; border-collapse: collapse;"> <tr><td>12.5s</td><td>7.7</td><td>↙</td></tr> <tr><td>38.7s</td><td>9.2</td><td>↗</td></tr> <tr><td>1:01m</td><td>9.8</td><td>↑</td></tr> <tr><td>1:32m</td><td>7.4</td><td>↗</td></tr> <tr><td>1:54m</td><td>9.4</td><td>↗</td></tr> <tr><td>13.7s</td><td>10.5x</td><td>↗</td></tr> <tr><td>2:03m</td><td>10.3</td><td>←</td></tr> <tr><td>2:57m</td><td>9.0</td><td>↖</td></tr> <tr><td>2:59m</td><td>8.3</td><td>↓</td></tr> <tr><td>3:10m</td><td>7.7</td><td>↓</td></tr> <tr><td>Serie</td><td>85 (1x)</td><td></td></tr> <tr><td>Total</td><td>85 (1x)</td><td></td></tr> </table>	12.5s	7.7	↙	38.7s	9.2	↗	1:01m	9.8	↑	1:32m	7.4	↗	1:54m	9.4	↗	13.7s	10.5x	↗	2:03m	10.3	←	2:57m	9.0	↖	2:59m	8.3	↓	3:10m	7.7	↓	Serie	85 (1x)		Total	85 (1x)		<p>Präss 2 serie</p> 	<table border="1" style="width:100%; border-collapse: collapse;"> <tr><td>9.59s</td><td>8.0</td><td>↙</td></tr> <tr><td>30.5s</td><td>8.4</td><td>↗</td></tr> <tr><td>55.6s</td><td>9.7</td><td>↗</td></tr> <tr><td>1:15m</td><td>9.3</td><td>↗</td></tr> <tr><td>1:38m</td><td>9.5</td><td>↘</td></tr> <tr><td>9.00s</td><td>9.3</td><td>↓</td></tr> <tr><td>38.2s</td><td>10.4x</td><td>↖</td></tr> <tr><td>1:07m</td><td>10.3</td><td>→</td></tr> <tr><td>1:34m</td><td>8.8</td><td>←</td></tr> <tr><td>2:01m</td><td>10.2</td><td>↓</td></tr> <tr><td>Serie</td><td>90 (1x)</td><td></td></tr> <tr><td>Total</td><td>175 (2x)</td><td></td></tr> </table>	9.59s	8.0	↙	30.5s	8.4	↗	55.6s	9.7	↗	1:15m	9.3	↗	1:38m	9.5	↘	9.00s	9.3	↓	38.2s	10.4x	↖	1:07m	10.3	→	1:34m	8.8	←	2:01m	10.2	↓	Serie	90 (1x)		Total	175 (2x)	
12.5s	7.7	↙																																																																									
38.7s	9.2	↗																																																																									
1:01m	9.8	↑																																																																									
1:32m	7.4	↗																																																																									
1:54m	9.4	↗																																																																									
13.7s	10.5x	↗																																																																									
2:03m	10.3	←																																																																									
2:57m	9.0	↖																																																																									
2:59m	8.3	↓																																																																									
3:10m	7.7	↓																																																																									
Serie	85 (1x)																																																																										
Total	85 (1x)																																																																										
9.59s	8.0	↙																																																																									
30.5s	8.4	↗																																																																									
55.6s	9.7	↗																																																																									
1:15m	9.3	↗																																																																									
1:38m	9.5	↘																																																																									
9.00s	9.3	↓																																																																									
38.2s	10.4x	↖																																																																									
1:07m	10.3	→																																																																									
1:34m	8.8	←																																																																									
2:01m	10.2	↓																																																																									
Serie	90 (1x)																																																																										
Total	175 (2x)																																																																										

<p>Präss 3 serie</p> 	<table border="1" style="width:100%; border-collapse: collapse;"> <tr><td>17.5s</td><td>9.1</td><td>↙</td></tr> <tr><td>45.3s</td><td>7.1</td><td>↖</td></tr> <tr><td>1:06m</td><td>8.1</td><td>↗</td></tr> <tr><td>1:30m</td><td>10.6x</td><td>↘</td></tr> <tr><td>1:55m</td><td>9.4</td><td>↑</td></tr> <tr><td>57.8s</td><td>1.3</td><td>→</td></tr> <tr><td>1:53m</td><td>9.7</td><td>→</td></tr> <tr><td>2:11m</td><td>8.3</td><td>↑</td></tr> <tr><td>Serie</td><td>61 (1x)</td><td></td></tr> <tr><td>Total</td><td>236 (3x)</td><td></td></tr> </table>	17.5s	9.1	↙	45.3s	7.1	↖	1:06m	8.1	↗	1:30m	10.6x	↘	1:55m	9.4	↑	57.8s	1.3	→	1:53m	9.7	→	2:11m	8.3	↑	Serie	61 (1x)		Total	236 (3x)		<p>Duell 1 serie</p> 	<table border="1" style="width:100%; border-collapse: collapse;"> <tr><td>2.42s</td><td>9.3</td><td>↑</td></tr> <tr><td>2.76s</td><td>7.7</td><td>→</td></tr> <tr><td>2.45s</td><td>10.3</td><td>↑</td></tr> <tr><td>2.86s</td><td>10.2</td><td>←</td></tr> <tr><td>2.84s</td><td>9.1</td><td>↖</td></tr> <tr><td>2.64s</td><td>7.3</td><td>↗</td></tr> <tr><td>2.50s</td><td>8.6</td><td>↑</td></tr> <tr><td>2.86s</td><td>8.5</td><td>↗</td></tr> <tr><td>2.46s</td><td>9.0</td><td>←</td></tr> <tr><td>2.62s</td><td>7.2</td><td>↓</td></tr> <tr><td>Serie</td><td>84 (0x)</td><td></td></tr> <tr><td>Total</td><td>320 (3x)</td><td></td></tr> </table>	2.42s	9.3	↑	2.76s	7.7	→	2.45s	10.3	↑	2.86s	10.2	←	2.84s	9.1	↖	2.64s	7.3	↗	2.50s	8.6	↑	2.86s	8.5	↗	2.46s	9.0	←	2.62s	7.2	↓	Serie	84 (0x)		Total	320 (3x)	
17.5s	9.1	↙																																																																			
45.3s	7.1	↖																																																																			
1:06m	8.1	↗																																																																			
1:30m	10.6x	↘																																																																			
1:55m	9.4	↑																																																																			
57.8s	1.3	→																																																																			
1:53m	9.7	→																																																																			
2:11m	8.3	↑																																																																			
Serie	61 (1x)																																																																				
Total	236 (3x)																																																																				
2.42s	9.3	↑																																																																			
2.76s	7.7	→																																																																			
2.45s	10.3	↑																																																																			
2.86s	10.2	←																																																																			
2.84s	9.1	↖																																																																			
2.64s	7.3	↗																																																																			
2.50s	8.6	↑																																																																			
2.86s	8.5	↗																																																																			
2.46s	9.0	←																																																																			
2.62s	7.2	↓																																																																			
Serie	84 (0x)																																																																				
Total	320 (3x)																																																																				

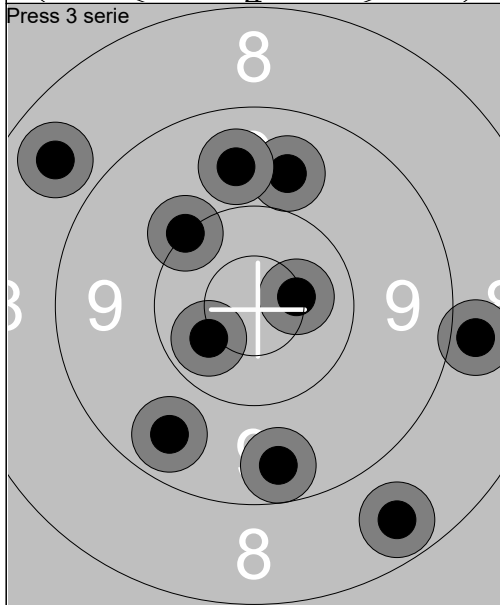
<p>Duell 2 serie</p> 	<table border="1" style="width:100%; border-collapse: collapse;"> <tr><td>2.69s</td><td>0.0</td><td>↗</td></tr> <tr><td>2.57s</td><td>8.2</td><td>↑</td></tr> <tr><td>3.20s</td><td>7.1</td><td>↓</td></tr> <tr><td>2.54s</td><td>9.2</td><td>↖</td></tr> <tr><td>2.64s</td><td>10.3</td><td>↓</td></tr> <tr><td>2.75s</td><td>10.4x</td><td>↗</td></tr> <tr><td>2.77s</td><td>8.6</td><td>↗</td></tr> <tr><td>2.84s</td><td>9.7</td><td>↖</td></tr> <tr><td></td><td>--</td><td></td></tr> <tr><td></td><td>--</td><td></td></tr> <tr><td>Serie</td><td>61 (1x)</td><td></td></tr> <tr><td>Total</td><td>381 (4x)</td><td></td></tr> </table>	2.69s	0.0	↗	2.57s	8.2	↑	3.20s	7.1	↓	2.54s	9.2	↖	2.64s	10.3	↓	2.75s	10.4x	↗	2.77s	8.6	↗	2.84s	9.7	↖		--			--		Serie	61 (1x)		Total	381 (4x)			
2.69s	0.0	↗																																					
2.57s	8.2	↑																																					
3.20s	7.1	↓																																					
2.54s	9.2	↖																																					
2.64s	10.3	↓																																					
2.75s	10.4x	↗																																					
2.77s	8.6	↗																																					
2.84s	9.7	↖																																					
	--																																						
	--																																						
Serie	61 (1x)																																						
Total	381 (4x)																																						



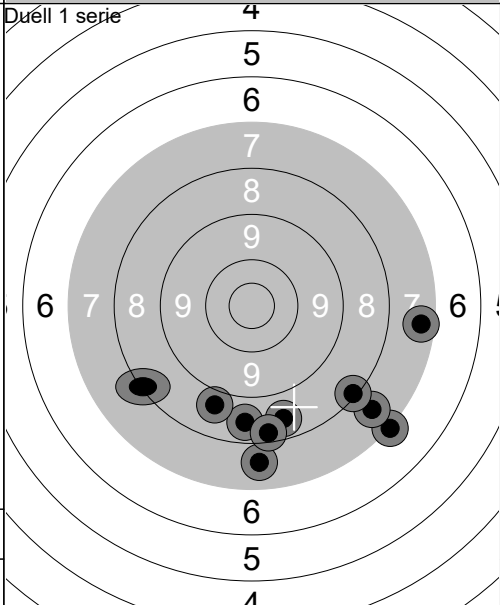
9.57s	7.4	←
28.5s	9.3	↗
49.3s	9.0	↗
1:09m	9.1	→
1:33m	9.4	→
10.7s	8.4	↗
29.6s	8.3	←
1:01m	9.5	←
1:19m	9.7	↗
1:37m	9.4	↓
Serie	86	(0x)
Total	86	(0x)



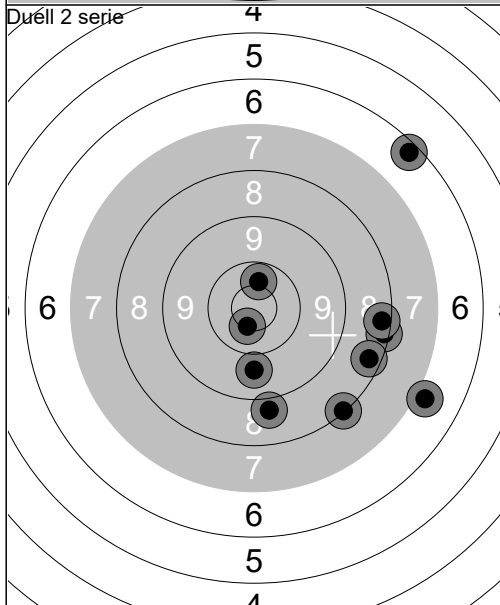
10.2s	9.8	↗
29.3s	10.4x	↓
51.8s	10.1	↓
1:11m	10.2	↗
1:32m	10.0	↗
11.6s	9.2	↗
33.3s	9.4	↓
59.4s	10.0	↗
1:27m	10.2	↗
1:50m	9.9	↓
Serie	96	(1x)
Total	182	(1x)



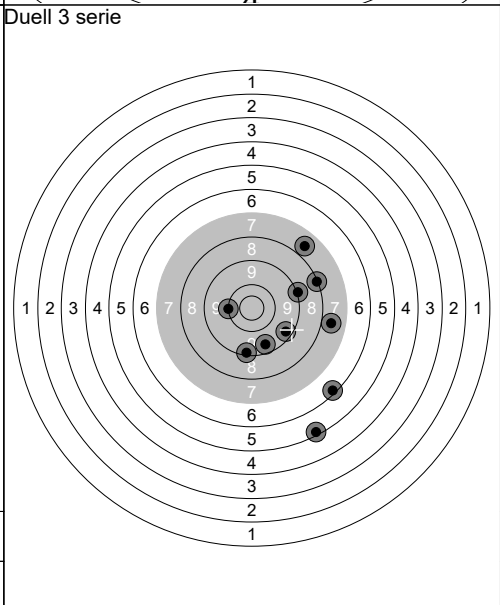
10.0s	10.1	↗
36.5s	9.8	↗
1:11m	8.9	→
1:34m	8.6	↓
1:58m	10.5x	↙
12.2s	9.5	↓
34.7s	8.7	↗
54.5s	9.7	↗
1:12m	10.6x	→
1:29m	9.6	↓
Serie	90	(2x)
Total	272	(3x)



0.11s	↔	↔
2.61s	8.8	↘
2.72s	9.2	↓
2.64s	9.2	↘
2.83s	9.7	↓
2.62s	9.7	↓
2.27s	9.5	↘
2.50s	9.6	↓
2.20s	9.0	→
2.54s	9.9	↓
Serie	80	(0x)
Total	352	(3x)



2.44s	9.5	→
2.35s	8.7	→
2.02s	10.8x	↓
2.44s	10.3	↓
2.40s	9.6	→
2.24s	8.3	↗
2.13s	10.7x	↗
2.69s	9.6	→
2.45s	9.5	↘
2.50s	9.9	↓
Serie	91	(2x)
Total	443	(5x)



2.42s	10.2	↓
2.57s	7.7	↓
2.57s	10.0	→
2.50s	8.3	↘
2.39s	9.2	→
2.44s	10.2	↘
3.13s	10.5x	←
2.35s	9.5	→
2.43s	10.1	↓
2.37s	9.2	↗
Serie	92	(1x)
Total	535	(6x)